



14-Bit, Serial Input Multiplying Digital-to-Analog Converter

FEATURES

- 14-Bit Monotonic
- ± 1 LSB INL
- ± 0.5 LSB DNL
- Low Noise: $12 \text{ nV}/\sqrt{\text{Hz}}$
- Low Power: $I_{DD} = 2 \mu\text{A}$
- +2.7 V to +5.5 V Analog Power Supply
- 2 mA Full-Scale Current $\pm 20\%$ with $V_{REF} = 10 \text{ V}$
- 0.5 μs Settling Time
- 4-Quadrant Multiplying Reference-Input
- Reference Bandwidth: 10 MHz
- $\pm 10 \text{ V}$ Reference Input
- Reference Dynamics: -105 THD
- 3-Wire 50-MHz Serial Interface
- Tiny 8-Lead 3 x 3 mm SON and 3 x 5 mm MSOP Packages
- Industry-Standard Pin Configuration

APPLICATIONS

- Automatic Test Equipment
- Instrumentation
- Digitally Controlled Calibration
- Industrial Control PLCs

DESCRIPTION

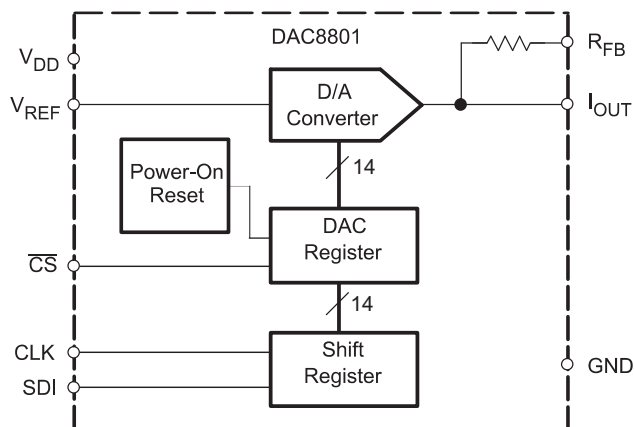
The DAC8801 multiplying digital-to-analog converter is designed to operate from a single 2.7-V to 5.5-V supply.

The applied external reference input voltage V_{REF} determines the full-scale output current. An internal feedback resistor (R_{FB}) provides temperature tracking for the full-scale output when combined with an external I-to-V precision amplifier.

A serial-data interface offers high-speed, three-wire microcontroller compatible inputs using data-in (SDI), clock (CLK), and chip select (\overline{CS}).

On power-up, the DAC register is filled with zeroes, and the DAC output is at zero scale.

The DAC8801 is packaged in space-saving 8-lead SON and MSOP packages.



Please be aware that an important notice concerning availability, standard warranty, and use in critical applications of Texas Instruments semiconductor products and disclaimers thereto appears at the end of this data sheet.



This integrated circuit can be damaged by ESD. Texas Instruments recommends that all integrated circuits be handled with appropriate precautions. Failure to observe proper handling and installation procedures can cause damage.

ESD damage can range from subtle performance degradation to complete device failure. Precision integrated circuits may be more susceptible to damage because very small parametric changes could cause the device not to meet its published specifications.

PACKAGE/ORDERING INFORMATION ⁽¹⁾

PRODUCT	MINIMUM RELATIVE ACCURACY (LSB)	DIFFERENTIAL NONLINEARITY (LSB)	PACKAGE-LEAD	PACKAGE DESIGNATOR	SPECIFIED TEMPERATURE RANGE	PACKAGE MARKING	ORDERING NUMBER	TRANSPORT MEDIA, QUANTITY
DAC8801	±1	±0.5	MSOP-8	DGK	-40°C to 85°C	F01	DAC8801DGKT	Tape and Reel, 250
DAC8801	±1	±0.5	MSOP-8	DGK	-40°C to 85°C	F01	DAC8801DGKR	Tape and Reel, 2500
DAC8801	±1	±0.5	SON-8	DRB	-40°C to 85°C	E01	DAC8801DRBT	Tape and Reel, 250
DAC8801	±1	±0.5	SON-8	DRB	-40°C to 85°C	E01	DAC8801DRBR	Tape and Reel, 2500

(1) For the most current package and ordering information, see the Package Option Addendum at the end of this data sheet, or refer to our web site at www.ti.com.

ABSOLUTE MAXIMUM RATINGS ⁽¹⁾

over operating free-air temperature range (unless otherwise noted)

	DAC8801	UNITS	
V_{DD} to GND	-0.3 to 7	V	
Digital Input voltage to GND	-0.3 to $+V_{DD} + 0.3$	V	
V_{OUT} to GND	-0.3 to $+V_{DD} + 0.3$	V	
Operating temperature range	-40 to 105	°C	
V_{REF} , R_{FB} to GND	-25 to 25	V	
Storage temperature range	-65 to 150	°C	
Junction temperature range (T_J max)	125	°C	
Power dissipation	$(T_J \text{ max} - T_A) / R_{\theta JA}$	W	
Thermal impedance, $R_{\theta JA}$	55	°C/W	
Lead temperature, soldering	Vapor phase (60s)	215	°C
Lead temperature, soldering	Infrared (15s)	220	°C
ESD rating, HBM	4000	V	
ESD rating, CDM	1000	V	

(1) Stresses above those listed under Absolute Maximum Ratings may cause permanent damage to the device. Exposure to absolute maximum conditions for extended periods may affect device reliability.

ELECTRICAL CHARACTERISTICS

$V_{DD} = 2.7\text{ V to }5.5\text{ V}$; $I_{OUT} = \text{Virtual GND}$, $GND = 0\text{ V}$; $V_{REF} = 10\text{ V}$; $T_A = \text{Full Operating Temperature}$; all specifications -40°C to 85°C unless otherwise noted.

PARAMETER	CONDITIONS	DAC8801			UNITS
		MIN	TYP	MAX	
STATIC PERFORMANCE					
Resolution		14			Bits
Relative accuracy				±1	LSB
Differential nonlinearity				±0.5	LSB
Output leakage current	Data = 0000h, $T_A = 25^\circ\text{C}$			10	nA
Output leakage current	Data = 0000h, $T_A = T_{MAX}$			10	nA
Full-scale gain error	All ones loaded to DAC register		±1	±4	mV
Full-scale tempco			±3		ppm of FSR/ $^\circ\text{C}$
OUTPUT CHARACTERISTICS⁽¹⁾					
Output current			2		mA
Output capacitance	Code dependent		50		pF
REFERENCE INPUT⁽¹⁾					
V_{REF} Range		-15		15	V
Input resistance			5		k Ω
Input capacitance			5		pF
LOGIC INPUTS AND OUTPUT⁽¹⁾					
V_{IL} Input low voltage	$V_{DD} = 2.7\text{V}$			0.6	V
	$V_{DD} = 5\text{V}$			0.8	V
V_{IH} Input high voltage	$V_{DD} = 2.7\text{V}$	2.1			V
	$V_{DD} = 5\text{V}$	2.4			V
I_{IL} Input leakage current				10	μA
C_{IL} Input capacitance				10	pF
INTERFACE TIMING					
f_{CLK} Clock input frequency				50	MHz
$t_{(CH)}$ Clock pulse width high		10			ns
$t_{(CL)}$ Clock pulse width low		10			ns
$t_{(CSS)}$ \overline{CS} to Clock setup time		0			ns
$t_{(CSH)}$ Clock to \overline{CS} hold time		10			ns
$t_{(DS)}$ Data setup time		5			ns
$t_{(DH)}$ Data hold time		10			ns
POWER REQUIREMENTS					
V_{DD}		2.7		5.5	V
I_{DD} (normal operation)	Logic inputs = 0 V			5	μA
$V_{DD} = 4.5\text{ V to }5.5\text{ V}$	$V_{IH} = V_{DD}$ and $V_{IL} = GND$		3	5	μA
$V_{DD} = 2.7\text{ V to }3.6\text{ V}$	$V_{IH} = V_{DD}$ and $V_{IL} = GND$		1	2.5	μA
AC CHARACTERISTICS⁽¹⁾⁽²⁾					
t_s Output voltage settling time	To $\pm 0.1\%$ of full-scale, Data = 0000h to 3FFFh to 0000h		0.3		μs
	To $\pm 0.006\%$ of full-scale, Data = 0000h to 3FFFh to 0000h		0.5		
Reference multiplying BW	$V_{REF} = 5\text{ V}_{PP}$, Data = 3FFFh		10		MHz
DAC glitch impulse	$V_{REF} = 0\text{ V}$, Data = 3FFFh to 2000h		2		nV/s
Feedthrough error	$V_{REF} = 100\text{ mV}_{RMS}$, 100kHz, Data = 0000h		-70		dB
Digital feedthrough	$\overline{CS} = 1$ and $f_{CLK} = 1\text{MHz}$		2		nV/s

(1) Specified by design and characterization, not production tested.

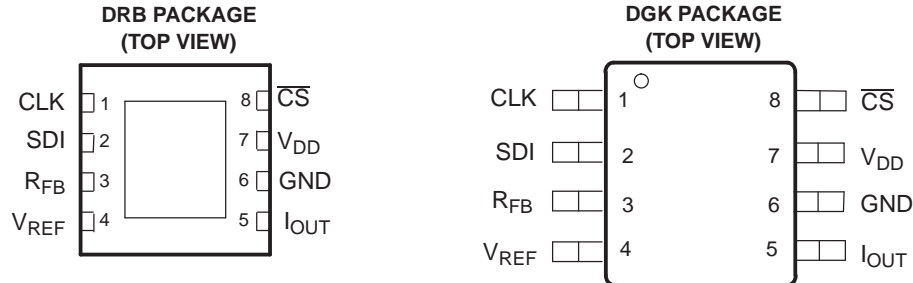
(2) All ac characteristic tests are performed in a closed-loop system using the THS4011 I-to-V converter amplifier.

ELECTRICAL CHARACTERISTICS (continued)

$V_{DD} = 2.7\text{ V to }5.5\text{ V}$; $I_{OUT} = \text{Virtual GND}$, $GND = 0\text{ V}$; $V_{REF} = 10\text{ V}$; $T_A = \text{Full Operating Temperature}$; all specifications -40°C to 85°C unless otherwise noted.

PARAMETER	CONDITIONS	DAC8801			UNITS
		MIN	TYP	MAX	
Total harmonic distortion	$V_{REF} = 5\text{ V}_{PP}$, Data = 3FFFh, $f = 1\text{ kHz}$		-105		dB
Output spot noise voltage	$f = 1\text{ kHz}$, $BW = 1\text{ Hz}$		12		$\text{nV}/\sqrt{\text{Hz}}$

PIN ASSIGNMENTS

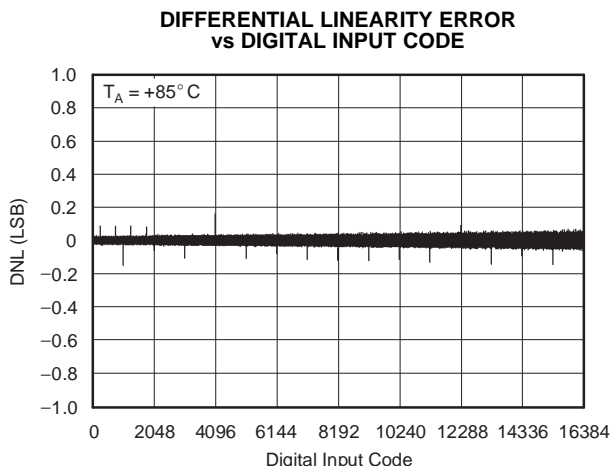
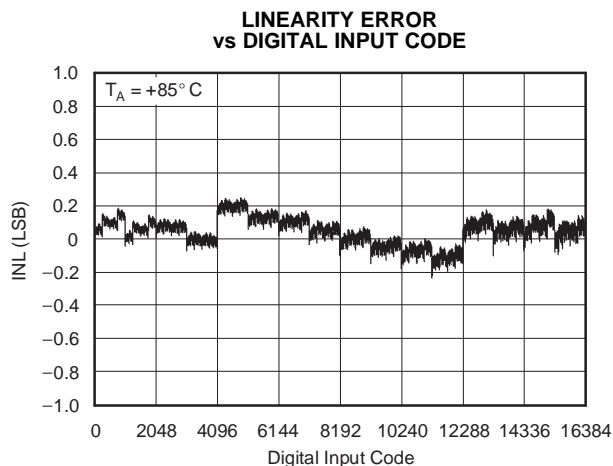
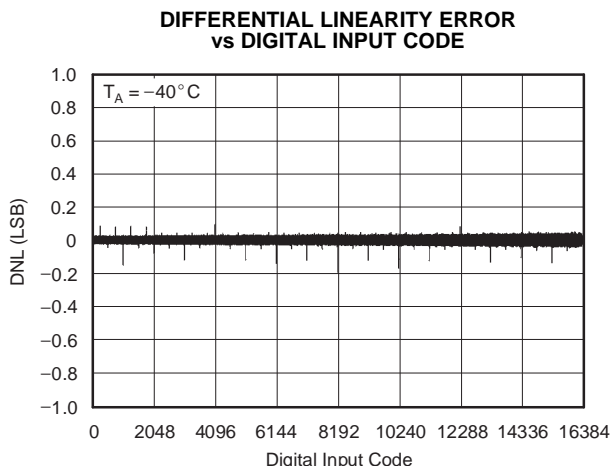
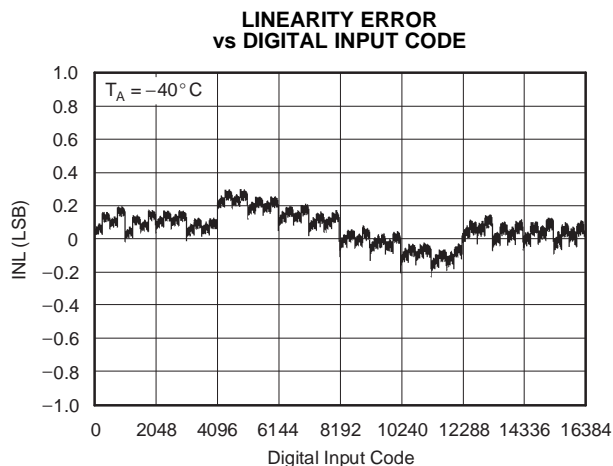
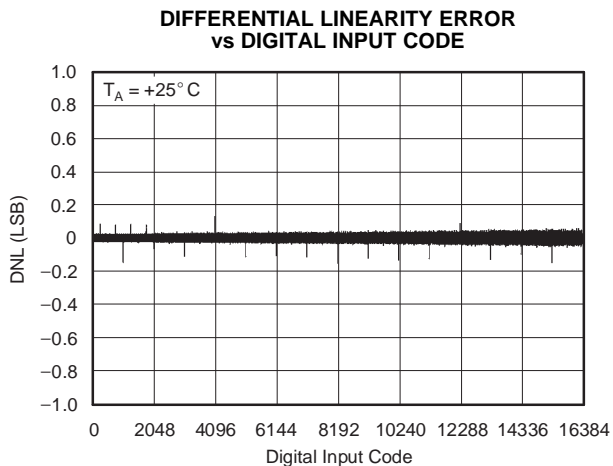
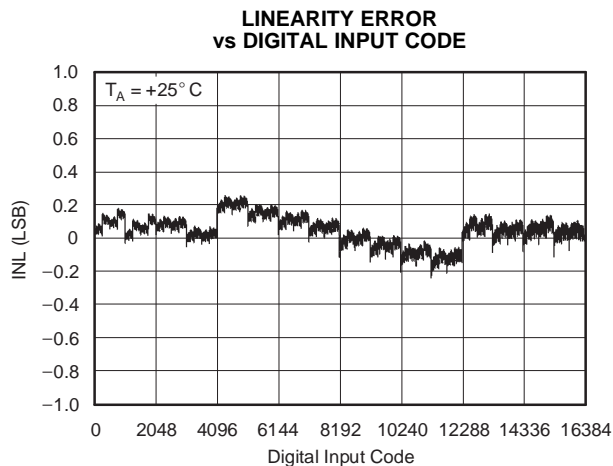


TERMINAL FUNCTIONS

PIN	NAME	DESCRIPTION
1	CLK	Clock input, positive edge triggered clocks data into shift register
2	SDI	Serial register input, data loads directly into the shift register MSB first. Extra leading bits are ignored.
3	R_{FB}	Internal matching feedback resistor. Connect to external op amp output.
4	V_{REF}	DAC reference input pin. Establishes DAC full-scale voltage. Constant input resistance versus code.
5	I_{OUT}	DAC current output. Connects to inverting terminal of external precision I to V op amp.
6	GND	Analog and digital ground
7	V_{DD}	Positive power supply input. Specified range of operation 2.7 V to 5.5 V.
8	\overline{CS}	Chip select, active low digital input. Transfers shift register data to DAC register on rising edge. See Table 1 for operation.

TYPICAL CHARACTERISTICS: $V_{DD} = 5\text{ V}$

At $T_A = 25^\circ\text{C}$, $+V_{DD} = 5\text{ V}$, unless otherwise noted.



TYPICAL CHARACTERISTICS: $V_{DD} = 5\text{ V}$ (continued)

At $T_A = 25^\circ\text{C}$, $+V_{DD} = 5\text{ V}$, unless otherwise noted.

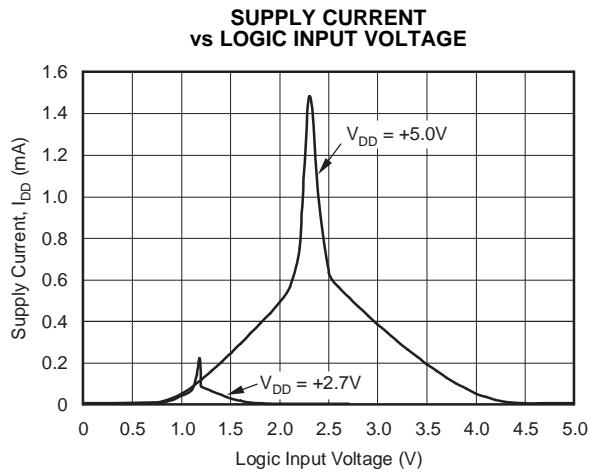


Figure 7.

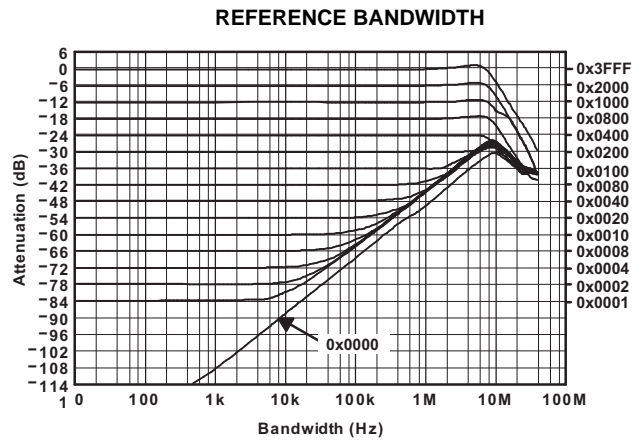


Figure 8.

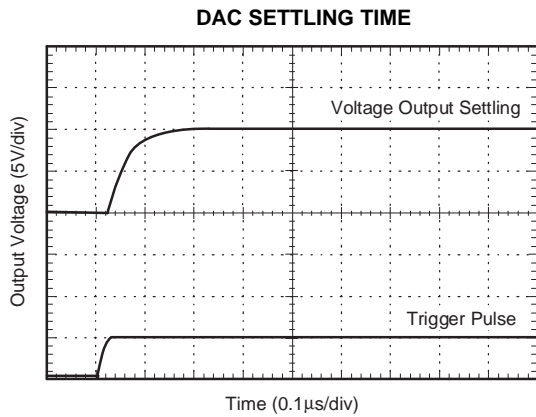


Figure 9.

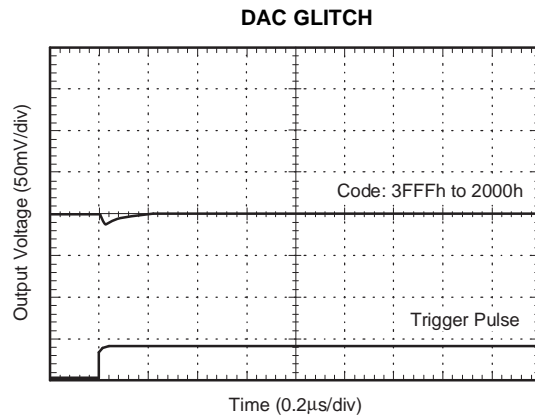


Figure 10.

TYPICAL CHARACTERISTICS: $V_{DD} = 2.7\text{ V}$

At $T_A = 25^\circ\text{C}$, $+V_{DD} = 2.7\text{ V}$, unless otherwise noted.

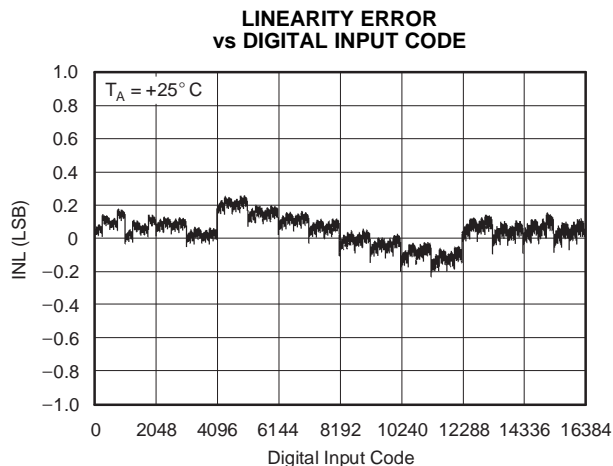


Figure 11.

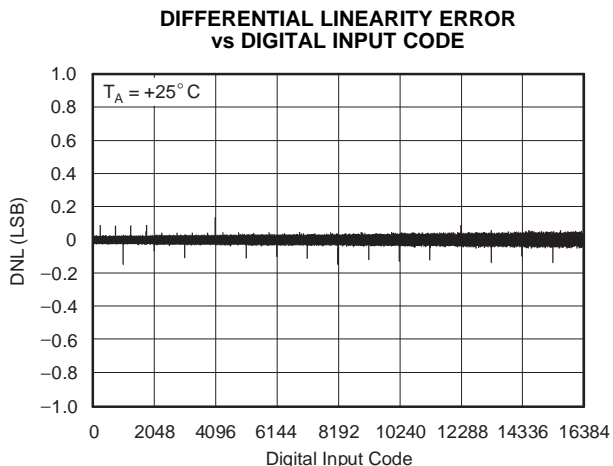


Figure 12.

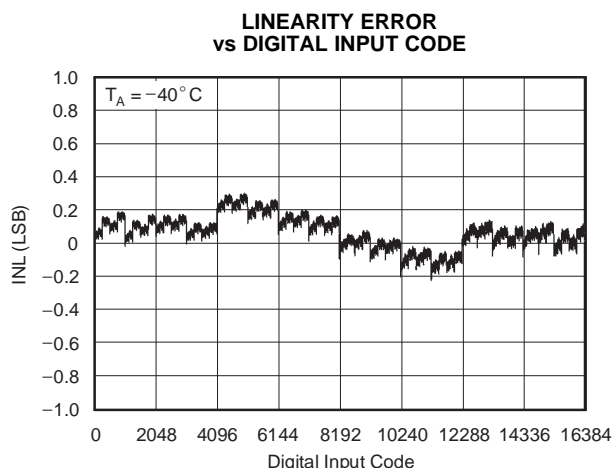


Figure 13.

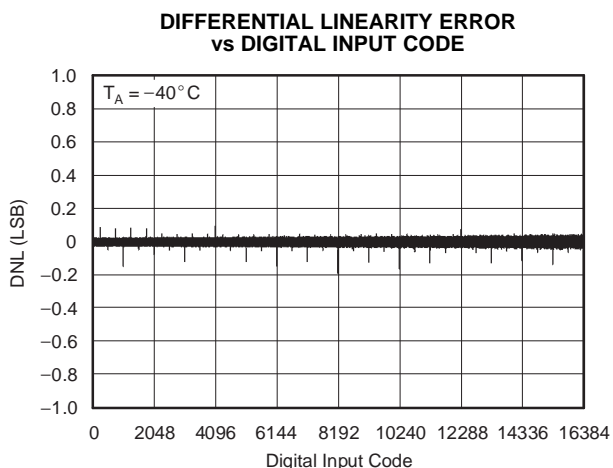


Figure 14.

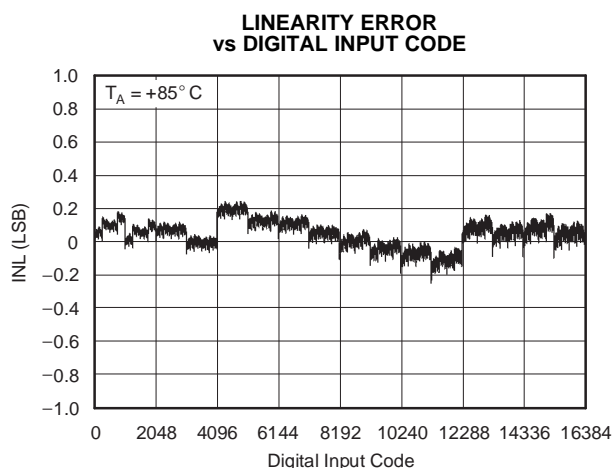


Figure 15.

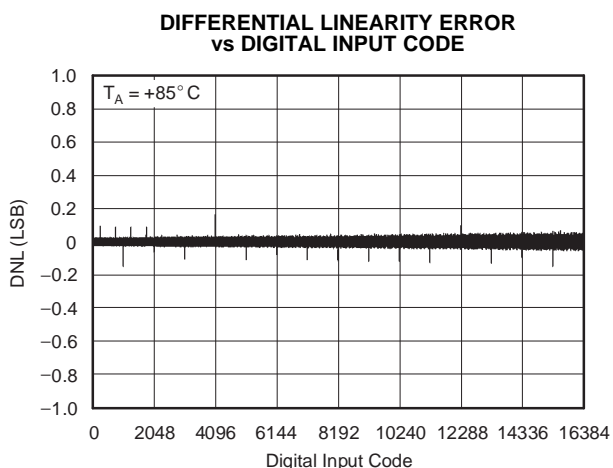


Figure 16.

THEORY OF OPERATION

The DAC8801 is a single channel current output, 16-bit digital-to-analog converter (DAC). The architecture, illustrated in Figure 17, is an R-2R ladder configuration with the three MSBs segmented. Each 2R leg of the ladder is either switched to GND or the I_{OUT} terminal. The I_{OUT} terminal of the DAC is held at a virtual GND potential by the use of an external I/V converter op amp. The R-2R ladder is connected to an external reference input V_{REF} that determines the DAC full-scale current. The R-2R ladder presents a code independent load impedance to the external reference of 5 kΩ ± 25%. The external reference voltage can vary in a range of -10 V to 10 V, thus providing bipolar I_{OUT} current operation. By using an external I/V converter and the DAC8801 R_{FB} resistor, output voltage ranges of -V_{REF} to V_{REF} can be generated.

When using an external I/V converter and the DAC8801 R_{FB} resistor, the DAC output voltage is given by Equation 1:

$$V_{OUT} = -V_{REF} \times \frac{CODE}{16384} \tag{1}$$

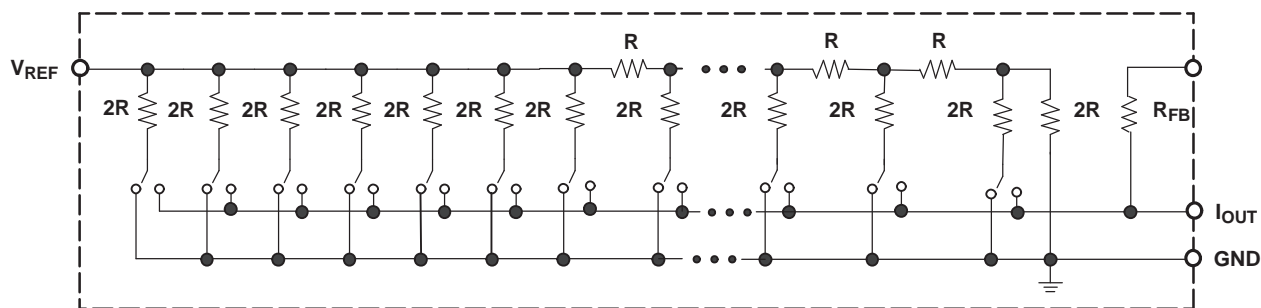


Figure 17. Equivalent R-2R DAC Circuit

Each DAC code determines the 2R leg switch position to either GND or I_{OUT}. Because the DAC output impedance as seen looking into the I_{OUT} terminal changes versus code, the external I/V converter noise gain will also change. Because of this, the external I/V converter op amp must have a sufficiently low offset voltage such that the amplifier offset is not modulated by the DAC I_{OUT} terminal impedance change. External op amps with large offset voltages can produce INL errors in the transfer function of the DAC8801 due to offset modulation versus DAC code. For best linearity performance of the DAC8801, an op amp (OPA277) as shown in Figure 18 is recommended. This circuit allows V_{REF} to swing from -10V to +10V.

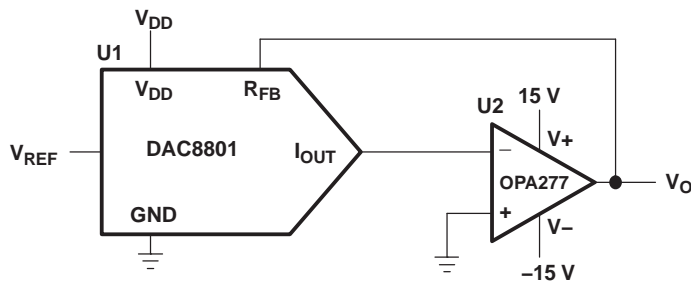


Figure 18. Voltage Output Configuration

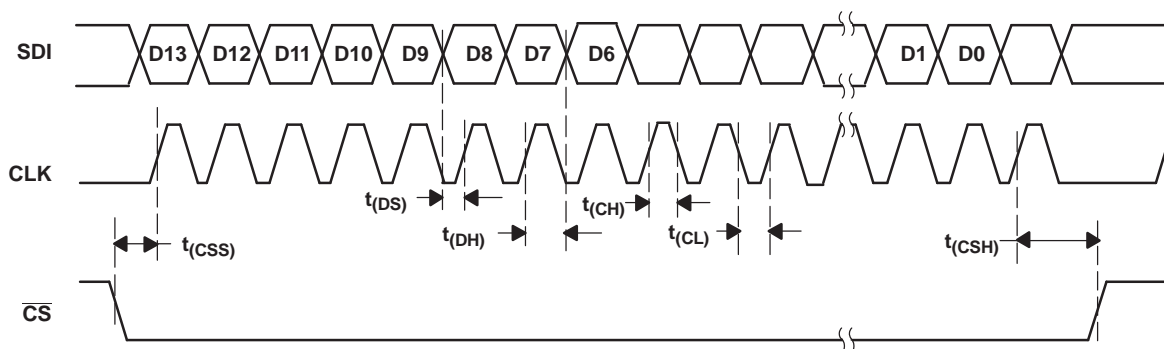


Figure 19. DAC8801 Timing Diagram

Table 1. Control Logic Truth Table⁽¹⁾

CLK	\overline{CS}	Serial Shift Register	DAC Register
X	H	No effect	Latched
$\uparrow+$	L	Shift register data advanced one bit	Latched
X	H	No effect	Latched
X	$\uparrow+$	Shift register data transferred to DAC register	New data loaded from serial register

(1) $\uparrow+$ Positive logic transition; X = Don't care

Table 1. Serial Input Register Data Format, Data Loaded MSB First

Bit	B13 (MSB)	B12	B11	B10	B9	B8	B7	B6	B5	B4	B3	B2	B1	B0 (LSB)
Data ⁽¹⁾	D13	D12	D11	D10	D9	D8	D7	D6	D5	D4	D3	D2	D1	D0

(1) A full 16-bit data word can be loaded into the serial register, but only the last 14 bits are transferred to the DAC register when \overline{CS} goes high.

APPLICATION INFORMATION

Stability Circuit

For a current-to-voltage design as shown in Figure 20, the DAC8801 current output (I_{OUT}) and the connection with the inverting node of the op amp should be as short as possible and according to correct PCB layout design. For each code change there is a step function. If the GBP of the op amp is limited and parasitic capacitance is excessive at the inverting node then gain peaking is possible. Therefore, for circuit stability, a compensation capacitor C1 (4 pF to 20 pF typ) can be added to the design as shown in Figure 20.

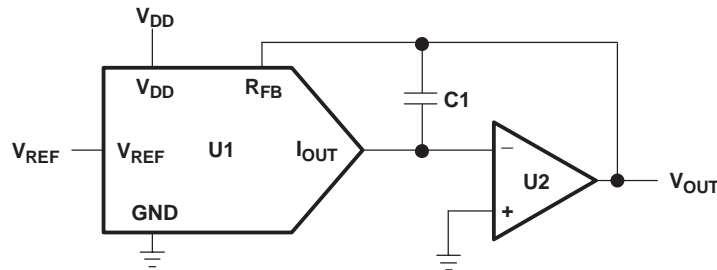


Figure 20. Gain Peaking Prevention Circuit With Compensation Capacitor

Positive Voltage Output Circuit

As shown in Figure 21, in order to generate a positive voltage output, a negative reference is input to the DAC8801. This design is suggested instead of using an inverting amp to invert the output due to tolerance errors of the resistor. For a negative reference, V_{OUT} and GND of the reference are level-shifted to a virtual ground and a -2.5 V input to the DAC8801 with an op amp.

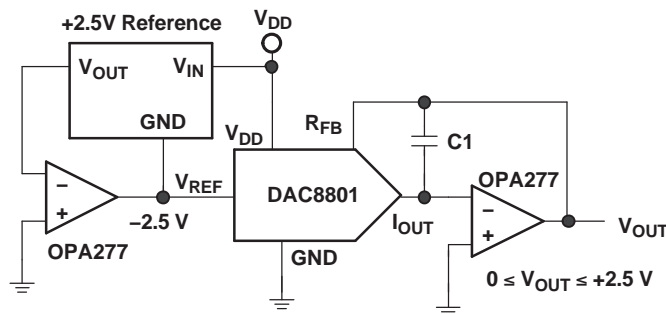


Figure 21. Positive Voltage Output Circuit

APPLICATION INFORMATION (continued)

Bipolar Output Circuit

The DAC8801, as a 2-quadrant multiplying DAC, can be used to generate a unipolar output. The polarity of the full-scale output I_{OUT} is the inverse of the input reference voltage at V_{REF} .

Some applications require full 4-quadrant multiplying capabilities or bipolar output swing. As shown in [Figure 22](#), external op amp U4 is added as a summing amp and has a gain of 2X that widens the output span to 5 V. A 4-quadrant multiplying circuit is implemented by using a 2.5-V offset of the reference voltage to bias U4. According to the circuit transfer equation given in [Equation 2](#), input data (D) from code 0 to full scale produces output voltages of $V_{OUT} = -2.5\text{ V}$ to $V_{OUT} = 2.5\text{ V}$.

$$V_{OUT} = \left(\frac{D}{16,384} - 1 \right) \times V_{REF} \quad (2)$$

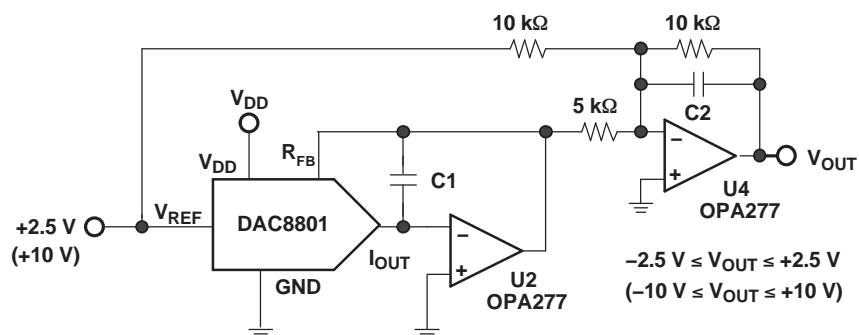


Figure 22. Bipolar Output Circuit

Programmable Current Source Circuit

A DAC8801 can be integrated into the circuit in [Figure 23](#) to implement an improved Howland current pump for precise voltage to current conversions. Bidirectional current flow and high voltage compliance are two features of the circuit. A application of this circuit includes a 4-mA to 20-mA current transmitter with up to a 500-Ω load. With a matched resistor network, the load current of the circuit is shown in [Equation 3](#):

$$I_L = \frac{(R2 + R3) / R1}{R3} \times V_{REF} \times D \quad (3)$$

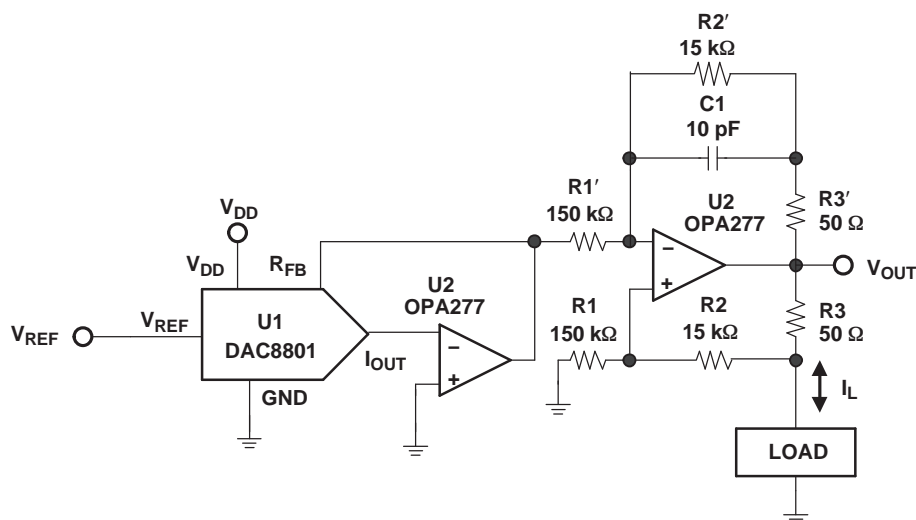


Figure 23. Programmable Bidirectional Current Source Circuit

APPLICATION INFORMATION (continued)

The value of R3 in the previous equation can be reduced to increase the output current drive of U3. U3 can drive ± 20 mA in both directions with voltage compliance limited up to 15 V by the U3 voltage supply. Elimination of the circuit compensation capacitor C1 in the circuit is not suggested because of the change in the output impedance Z_O , according to [Equation 4](#):

$$Z_O = \frac{R1'R3(R1 + R2)}{R1(R2' + R3') - R1'(R2 + R3)} \quad (4)$$

As shown in [Equation 4](#), with matched resistors, Z_O is infinite and the circuit is optimum for use as a current source. However, if unmatched resistors are used, Z_O is positive or negative with negative output impedance being a potential cause of oscillation. Therefore, by incorporating C1 into the circuit, possible oscillation problems are eliminated. The value of C1 can be determined for critical applications; however, for most applications a value of several pF is suggested.

Cross-Reference

The DAC8801 has an industry-standard pinout. [Table 2](#) provides the cross-reference information.

Table 2. Cross Reference

PRODUCT	INL (LSB)	DNL (LSB)	SPECIFIED TEMPERATURE RANGE	PACKAGE DESCRIPTION	PACKAGE OPTION	CROSS REFERENCE
DAC8801IDGK	± 1	± 1	-40°C to +85°C	8-Lead MicroSOIC	MSOP-8	ADS5553CRM
DAC8801IDRB	± 1	± 1	-40°C to +85°C	8-Lead Small Outline	SON-8	N/A

Table 3. DAC8801 Revision History

Revision	Date	Description
A	12/04	Removed the "Product Preview" label.
		Added information to the Features.
		Added Output leakage current Data = 0000h, $T_A = T_{MAX}$ in the Electrical Characteristics table.
		Added Input high voltage for 2.7 V and 5 V in the Electrical Characteristics table.
		Changed the values of the <i>Power Requirements</i> and the <i>AC characteristics</i> in the Electrical Characteristics table.
B	10/06	Changed the ESD rating, HBM from 1500 to 4000 in the Absolute Maximum Ratings.
		Revised Figure 8 .

PACKAGING INFORMATION

Orderable Device	Status ⁽¹⁾	Package Type	Package Drawing	Pins	Package Qty	Eco Plan ⁽²⁾	Lead/Ball Finish	MSL Peak Temp ⁽³⁾
DAC8801IDGKR	ACTIVE	MSOP	DGK	8	2500	Green (RoHS & no Sb/Br)	CU NIPDAU	Level-2-260C-1 YEAR
DAC8801IDGKRG4	ACTIVE	MSOP	DGK	8	2500	Green (RoHS & no Sb/Br)	CU NIPDAU	Level-2-260C-1 YEAR
DAC8801IDGKT	ACTIVE	MSOP	DGK	8	250	Green (RoHS & no Sb/Br)	CU NIPDAU	Level-2-260C-1 YEAR
DAC8801IDGKTG4	ACTIVE	MSOP	DGK	8	250	Green (RoHS & no Sb/Br)	CU NIPDAU	Level-2-260C-1 YEAR
DAC8801IDRBR	ACTIVE	SON	DRB	8	3000	Green (RoHS & no Sb/Br)	CU NIPDAU	Level-2-260C-1 YEAR
DAC8801IDRBRG4	ACTIVE	SON	DRB	8	3000	Green (RoHS & no Sb/Br)	CU NIPDAU	Level-2-260C-1 YEAR
DAC8801IDRBT	ACTIVE	SON	DRB	8	250	Green (RoHS & no Sb/Br)	CU NIPDAU	Level-2-260C-1 YEAR
DAC8801IDRBTG4	ACTIVE	SON	DRB	8	250	Green (RoHS & no Sb/Br)	CU NIPDAU	Level-2-260C-1 YEAR

⁽¹⁾ The marketing status values are defined as follows:

ACTIVE: Product device recommended for new designs.

LIFEBUY: TI has announced that the device will be discontinued, and a lifetime-buy period is in effect.

NRND: Not recommended for new designs. Device is in production to support existing customers, but TI does not recommend using this part in a new design.

PREVIEW: Device has been announced but is not in production. Samples may or may not be available.

OBSOLETE: TI has discontinued the production of the device.

⁽²⁾ Eco Plan - The planned eco-friendly classification: Pb-Free (RoHS), Pb-Free (RoHS Exempt), or Green (RoHS & no Sb/Br) - please check <http://www.ti.com/productcontent> for the latest availability information and additional product content details.

TBD: The Pb-Free/Green conversion plan has not been defined.

Pb-Free (RoHS): TI's terms "Lead-Free" or "Pb-Free" mean semiconductor products that are compatible with the current RoHS requirements for all 6 substances, including the requirement that lead not exceed 0.1% by weight in homogeneous materials. Where designed to be soldered at high temperatures, TI Pb-Free products are suitable for use in specified lead-free processes.

Pb-Free (RoHS Exempt): This component has a RoHS exemption for either 1) lead-based flip-chip solder bumps used between the die and package, or 2) lead-based die adhesive used between the die and leadframe. The component is otherwise considered Pb-Free (RoHS compatible) as defined above.

Green (RoHS & no Sb/Br): TI defines "Green" to mean Pb-Free (RoHS compatible), and free of Bromine (Br) and Antimony (Sb) based flame retardants (Br or Sb do not exceed 0.1% by weight in homogeneous material)

⁽³⁾ MSL, Peak Temp. -- The Moisture Sensitivity Level rating according to the JEDEC industry standard classifications, and peak solder temperature.

Important Information and Disclaimer:The information provided on this page represents TI's knowledge and belief as of the date that it is provided. TI bases its knowledge and belief on information provided by third parties, and makes no representation or warranty as to the accuracy of such information. Efforts are underway to better integrate information from third parties. TI has taken and continues to take reasonable steps to provide representative and accurate information but may not have conducted destructive testing or chemical analysis on incoming materials and chemicals. TI and TI suppliers consider certain information to be proprietary, and thus CAS numbers and other limited information may not be available for release.

In no event shall TI's liability arising out of such information exceed the total purchase price of the TI part(s) at issue in this document sold by TI to Customer on an annual basis.

TAPE AND REEL INFORMATION



QUADRANT ASSIGNMENTS FOR PIN 1 ORIENTATION IN TAPE



*All dimensions are nominal

Device	Package Type	Package Drawing	Pins	SPQ	Reel Diameter (mm)	Reel Width W1 (mm)	A0 (mm)	B0 (mm)	K0 (mm)	P1 (mm)	W (mm)	Pin1 Quadrant
DAC8801IDGKR	MSOP	DGK	8	2500	330.0	12.4	5.3	3.4	1.4	8.0	12.0	Q1
DAC8801IDGKT	MSOP	DGK	8	250	330.0	12.4	5.3	3.4	1.4	8.0	12.0	Q1
DAC8801IDRBR	SON	DRB	8	3000	330.0	12.4	3.3	3.3	1.1	8.0	12.0	Q2
DAC8801IDRBT	SON	DRB	8	250	330.0	12.4	3.3	3.3	1.1	8.0	12.0	Q2

TAPE AND REEL BOX DIMENSIONS

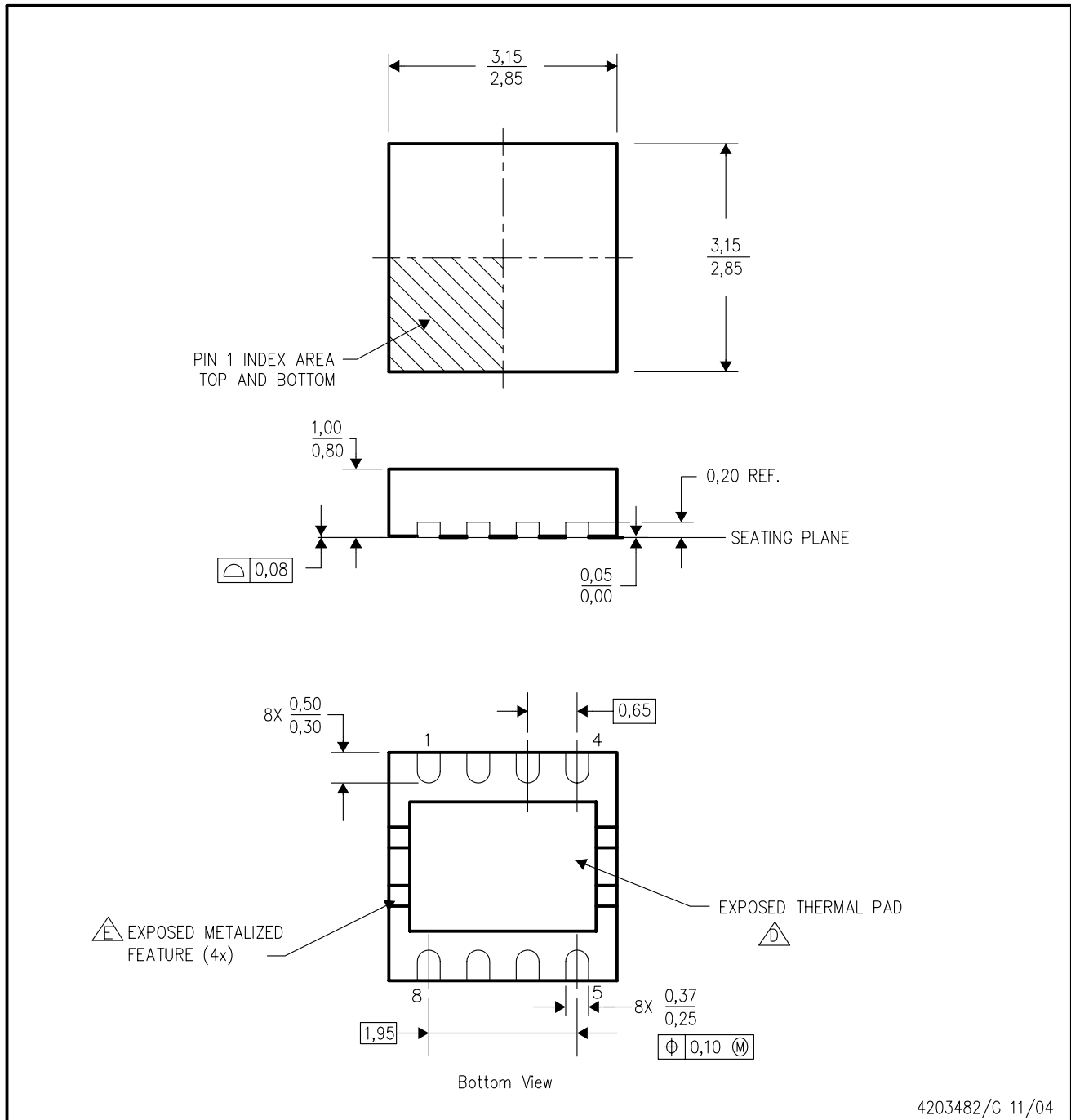




*All dimensions are nominal

Device	Package Type	Package Drawing	Pins	SPQ	Length (mm)	Width (mm)	Height (mm)
DAC8801IDGKR	MSOP	DGK	8	2500	346.0	346.0	29.0
DAC8801IDGKT	MSOP	DGK	8	250	346.0	346.0	29.0
DAC8801IDRBR	SON	DRB	8	3000	340.5	333.0	20.6
DAC8801IDRBT	SON	DRB	8	250	340.5	333.0	20.6

DRB (S-PDSO-N8)

PLASTIC SMALL OUTLINE



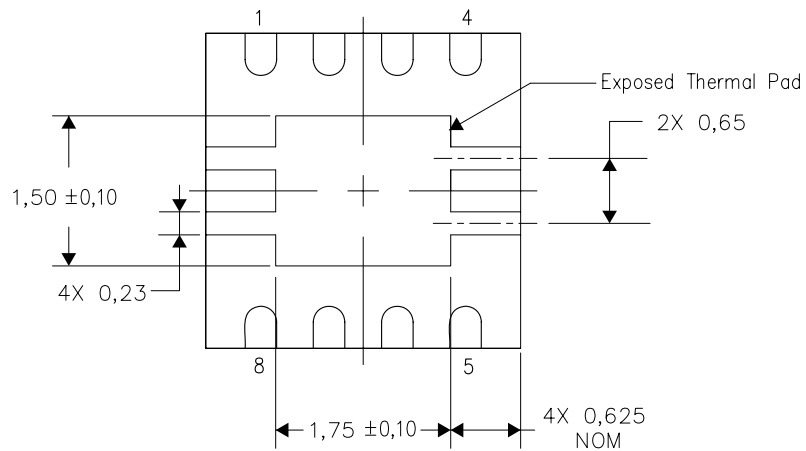
- NOTES:
- A. All linear dimensions are in millimeters. Dimensioning and tolerancing per ASME Y14.5M-1994.
 - B. This drawing is subject to change without notice.
 - C. Small Outline No-Lead (SON) package configuration.
 -  The package thermal pad must be soldered to the board for thermal and mechanical performance. See the Product Data Sheet for details regarding the exposed thermal pad dimensions.
 -  Metalized features are supplier options and may not be on the package.

THERMAL INFORMATION

This package incorporates an exposed thermal pad that is designed to be attached directly to an external heatsink. The thermal pad must be soldered directly to the printed circuit board (PCB). After soldering, the PCB can be used as a heatsink. In addition, through the use of thermal vias, the thermal pad can be attached directly to the appropriate copper plane shown in the electrical schematic for the device, or alternatively, can be attached to a special heatsink structure designed into the PCB. This design optimizes the heat transfer from the integrated circuit (IC).

For information on the Quad Flatpack No-Lead (QFN) package and its advantages, refer to Application Report, Quad Flatpack No-Lead Logic Packages, Texas Instruments Literature No. SCBA017. This document is available at www.ti.com.

The exposed thermal pad dimensions for this package are shown in the following illustration.

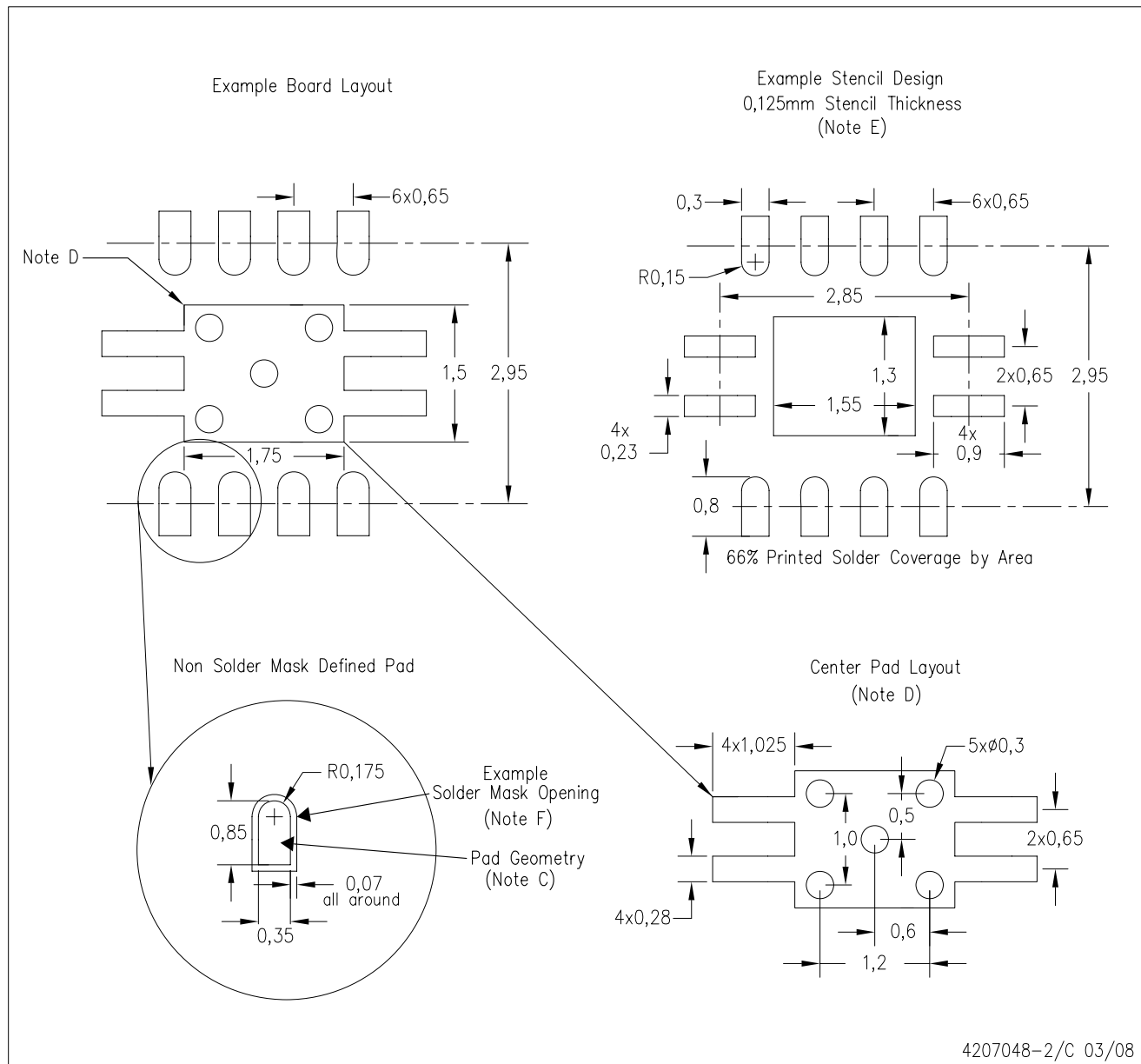


Bottom View

NOTE: All linear dimensions are in millimeters

Exposed Thermal Pad Dimensions

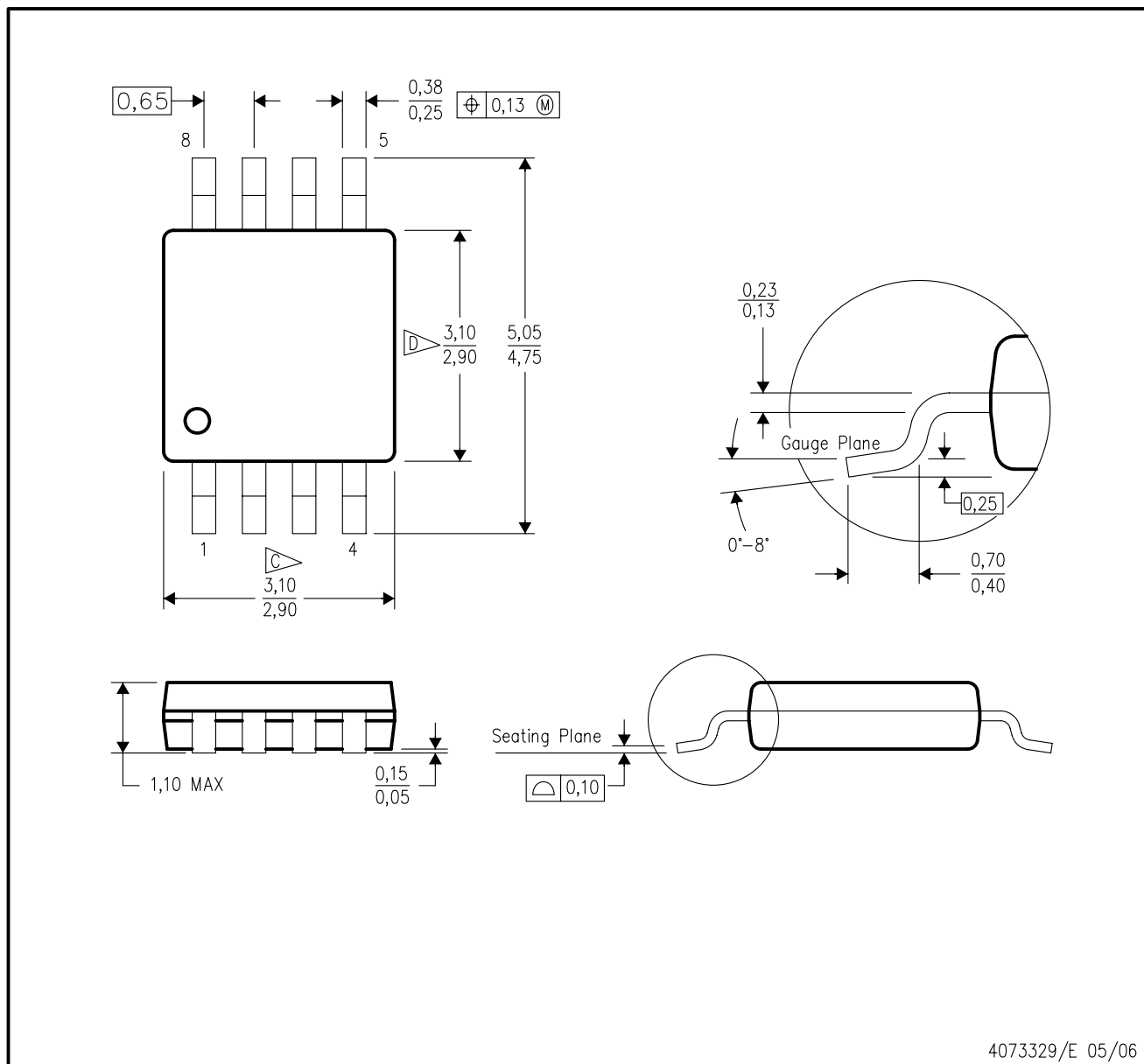
DRB (S-VSON-N8)



- NOTES:
- A. All linear dimensions are in millimeters.
 - B. This drawing is subject to change without notice.
 - C. Publication IPC-7351 is recommended for alternate designs.
 - D. This package is designed to be soldered to a thermal pad on the board. Refer to Application Note, QFN Packages, Texas Instruments Literature No. SCBA017, SLUA271, and also the Product Data Sheets for specific thermal information, via requirements, and recommended board layout. These documents are available at www.ti.com <<http://www.ti.com>>.
 - E. Laser cutting apertures with trapezoidal walls and also rounding corners will offer better paste release. Customers should contact their board assembly site for stencil design recommendations. Refer to IPC 7525 for stencil design considerations.
 - F. Customers should contact their board fabrication site for solder mask tolerances.

DGK (S-PDSO-G8)

PLASTIC SMALL-OUTLINE PACKAGE



- NOTES:
- A. All linear dimensions are in millimeters.
 - B. This drawing is subject to change without notice.
 - C Body length does not include mold flash, protrusions, or gate burrs. Mold flash, protrusions, or gate burrs shall not exceed 0.15 per end.
 - D Body width does not include interlead flash. Interlead flash shall not exceed 0.50 per side.
 - E. Falls within JEDEC MO-187 variation AA, except interlead flash.

IMPORTANT NOTICE

Texas Instruments Incorporated and its subsidiaries (TI) reserve the right to make corrections, modifications, enhancements, improvements, and other changes to its products and services at any time and to discontinue any product or service without notice. Customers should obtain the latest relevant information before placing orders and should verify that such information is current and complete. All products are sold subject to TI's terms and conditions of sale supplied at the time of order acknowledgment.

TI warrants performance of its hardware products to the specifications applicable at the time of sale in accordance with TI's standard warranty. Testing and other quality control techniques are used to the extent TI deems necessary to support this warranty. Except where mandated by government requirements, testing of all parameters of each product is not necessarily performed.

TI assumes no liability for applications assistance or customer product design. Customers are responsible for their products and applications using TI components. To minimize the risks associated with customer products and applications, customers should provide adequate design and operating safeguards.

TI does not warrant or represent that any license, either express or implied, is granted under any TI patent right, copyright, mask work right, or other TI intellectual property right relating to any combination, machine, or process in which TI products or services are used. Information published by TI regarding third-party products or services does not constitute a license from TI to use such products or services or a warranty or endorsement thereof. Use of such information may require a license from a third party under the patents or other intellectual property of the third party, or a license from TI under the patents or other intellectual property of TI.

Reproduction of TI information in TI data books or data sheets is permissible only if reproduction is without alteration and is accompanied by all associated warranties, conditions, limitations, and notices. Reproduction of this information with alteration is an unfair and deceptive business practice. TI is not responsible or liable for such altered documentation. Information of third parties may be subject to additional restrictions.

Resale of TI products or services with statements different from or beyond the parameters stated by TI for that product or service voids all express and any implied warranties for the associated TI product or service and is an unfair and deceptive business practice. TI is not responsible or liable for any such statements.

TI products are not authorized for use in safety-critical applications (such as life support) where a failure of the TI product would reasonably be expected to cause severe personal injury or death, unless officers of the parties have executed an agreement specifically governing such use. Buyers represent that they have all necessary expertise in the safety and regulatory ramifications of their applications, and acknowledge and agree that they are solely responsible for all legal, regulatory and safety-related requirements concerning their products and any use of TI products in such safety-critical applications, notwithstanding any applications-related information or support that may be provided by TI. Further, Buyers must fully indemnify TI and its representatives against any damages arising out of the use of TI products in such safety-critical applications.

TI products are neither designed nor intended for use in military/aerospace applications or environments unless the TI products are specifically designated by TI as military-grade or "enhanced plastic." Only products designated by TI as military-grade meet military specifications. Buyers acknowledge and agree that any such use of TI products which TI has not designated as military-grade is solely at the Buyer's risk, and that they are solely responsible for compliance with all legal and regulatory requirements in connection with such use.

TI products are neither designed nor intended for use in automotive applications or environments unless the specific TI products are designated by TI as compliant with ISO/TS 16949 requirements. Buyers acknowledge and agree that, if they use any non-designated products in automotive applications, TI will not be responsible for any failure to meet such requirements.

Following are URLs where you can obtain information on other Texas Instruments products and application solutions:

Products

Amplifiers	amplifier.ti.com
Data Converters	dataconverter.ti.com
DSP	dsp.ti.com
Clocks and Timers	www.ti.com/clocks
Interface	interface.ti.com
Logic	logic.ti.com
Power Mgmt	power.ti.com
Microcontrollers	microcontroller.ti.com
RFID	www.ti-rfid.com
RF/IF and ZigBee® Solutions	www.ti.com/lprf

Applications

Audio	www.ti.com/audio
Automotive	www.ti.com/automotive
Broadband	www.ti.com/broadband
Digital Control	www.ti.com/digitalcontrol
Medical	www.ti.com/medical
Military	www.ti.com/military
Optical Networking	www.ti.com/opticalnetwork
Security	www.ti.com/security
Telephony	www.ti.com/telephony
Video & Imaging	www.ti.com/video
Wireless	www.ti.com/wireless

Mailing Address: Texas Instruments, Post Office Box 655303, Dallas, Texas 75265
Copyright © 2008, Texas Instruments Incorporated